

Important:

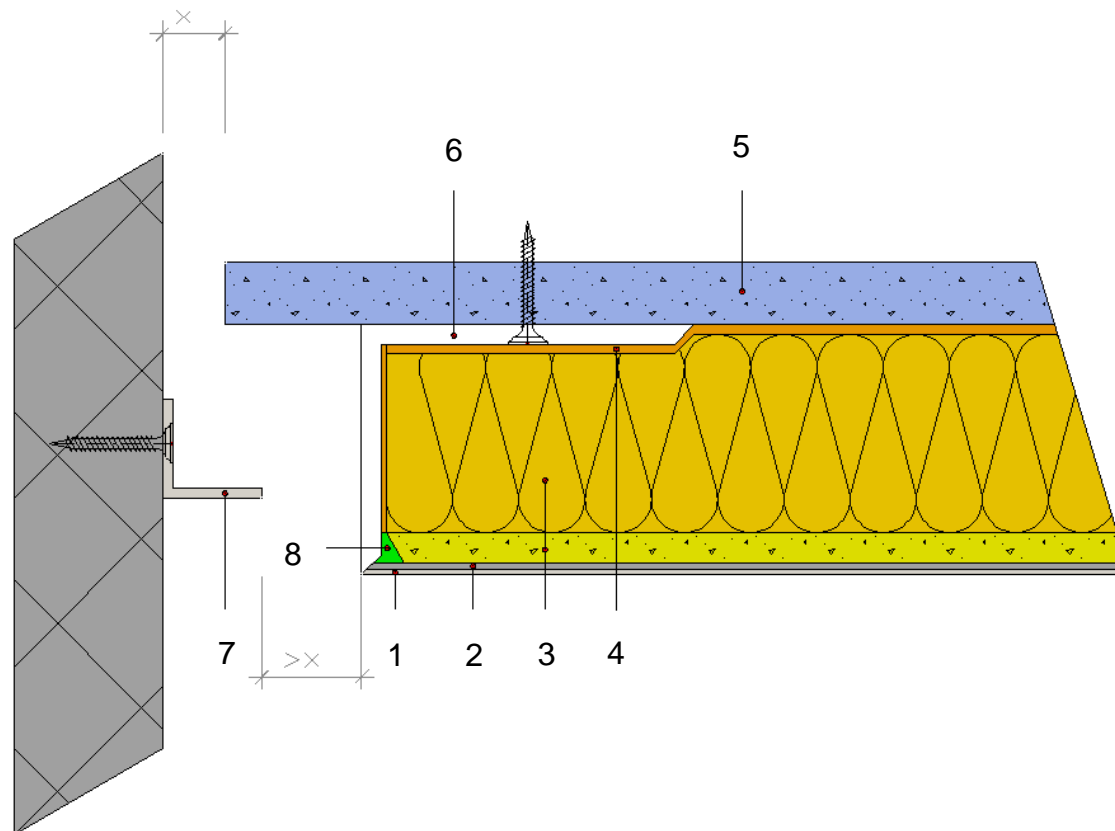
Possible differences in pressure relative to the ceiling cavity are compensated via the opening.
 The possibly undesired thermal insulation effect of the acoustic panels can be decoupled in this way. (See dew point calculation in the planning documents page 18.)

Take into account the expansion coefficient of materials used near heat sources.

Danger that cracks form, if aluminium, steel and PVC angle profiles are used!

Acoustic panels glued front side against angle profile!

1. BASWaphon – Top surface layer
2. BASWaphon – Base primary layer
3. BASWaphon – Acoustic Panel
4. Plaster adhesive
5. Structural panel, e.g., Fermacell or plasterboard
6. Aluminium angle profile, white coated with PUR
7. Screen angle individual (To organize on-site)
8. BASWaphon Fill seam filler



BASWA acoustic AG
 Marmorweg 10
 CH – 6283 Baldegg
 www.baswa.com

The structural, static and physical construction characteristics of BASWaphon acoustic systems can only be reached if the sole use and processing of BASWaphon system components according to processing guidelines is ensured.

Created Gabriell Gjonlleshaj	Date Aug. 31, 2010
Reviewed Eric Sulzer	Approved Guido Koch

Technical changes reserved. The then-current version applies. Our guarantee only applies to the flawless composition of our materials. Information regarding usage, amounts and versions is based on experience, which cannot be transferred to differing conditions without adjustments. The information included in the diagram complies with the current state of the art. However, it cannot contain the entirety of generally accepted rules of civil engineering, applicable standards, guidelines and technical rules. These must be observed appropriately, in addition to the processing regulations, by the person performing the work. All rights reserved. Changes, reprints and photomechanical, as well as electronic, reproduction, even in excerpts, require the explicit permission from BASWA acoustic AG, Marmorweg 10, 6283 Baldegg, Tel.: +41 41 914 02 22, Fax: +41 41 914 02 20. Shipment not via the specialized trade. According to our general terms and conditions, shipping and payment conditions (general terms and conditions, see www.baswa.com), only to certified processors.