

# D\_058\_en Installation of curtain rods on concrete

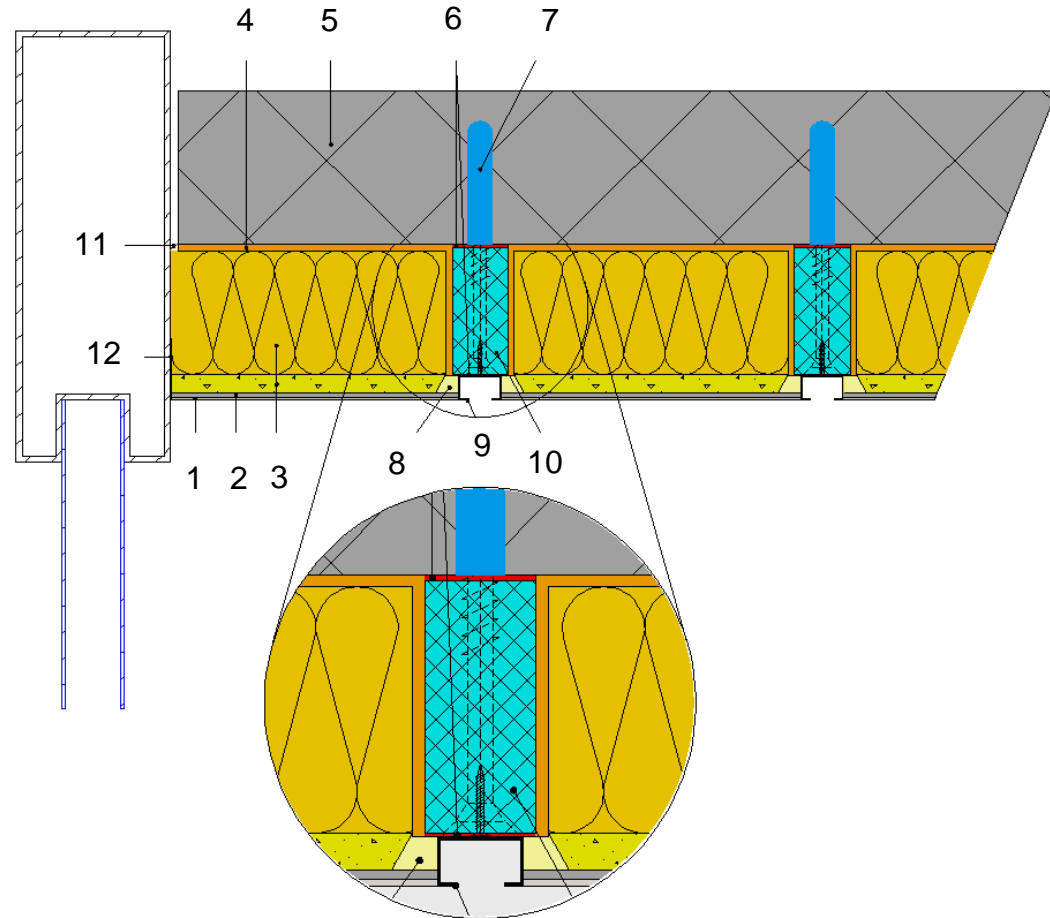
## Important:

The dew point must be calculated for a closed connection to a facade with windows. (Danger of condensation in the mineral wool of the BASWAphon acoustic panel > Discoloration of the surface!)

Acoustic panels glued front side against gypsum fiberboard strips!

Gypsum fiberboard strips is to be organized on site.

1. BASWAphon – Top surface layer
2. BASWAphon – Base primary layer
3. BASWAphon – Acoustic Panel
4. BASWAfix C adhesive cement-containing mortar
5. Concrete
6. Mounting adhesive
7. Dowel
8. BASWAphon Fill seam filler
9. Curtain rail profile (VS57)
10. Gypsum fiberboard strips (Fermacell)
11. Vapor barrier adhesive tape (air-tight)
12. Severance strip (Knauf Trennfix 65)



**BASWA acoustic AG**  
Marmorweg 10  
CH – 6283 Baldegg  
www.baswa.com

The structural, static and physical construction characteristics of BASWAphon acoustic systems can only be reached if the sole use and processing of BASWAphon system components according to processing guidelines is ensured.

**Created**  
Gabriell Gjonlleshaj

**Date**  
Aug. 31, 2010

**Reviewed**  
Eric Sulzer

**Approved**  
Guido Koch

Technical changes reserved. The then-current version applies. Our guarantee only applies to the flawless composition of our materials. Information regarding usage, amounts and versions is based on experience, which cannot be transferred to differing conditions without adjustments. The information included in the diagram complies with the current state of the art. However, it cannot contain the entirety of generally accepted rules of civil engineering, applicable standards, guidelines and technical rules. These must be observed appropriately, in addition to the processing regulations, by the person performing the work. All rights reserved. Changes, reprints and photomechanical, as well as electronic, reproduction, even in excerpts, require the explicit permission from BASWA acoustic AG, Marmorweg 10, 6283 Baldegg, Tel.: +41 41 914 02 22, Fax: +41 41 914 02 20. Shipment not via the specialized trade. According to our general terms and conditions, shipping and payment conditions (general terms and conditions, see www.baswa.com), only to certified processors.