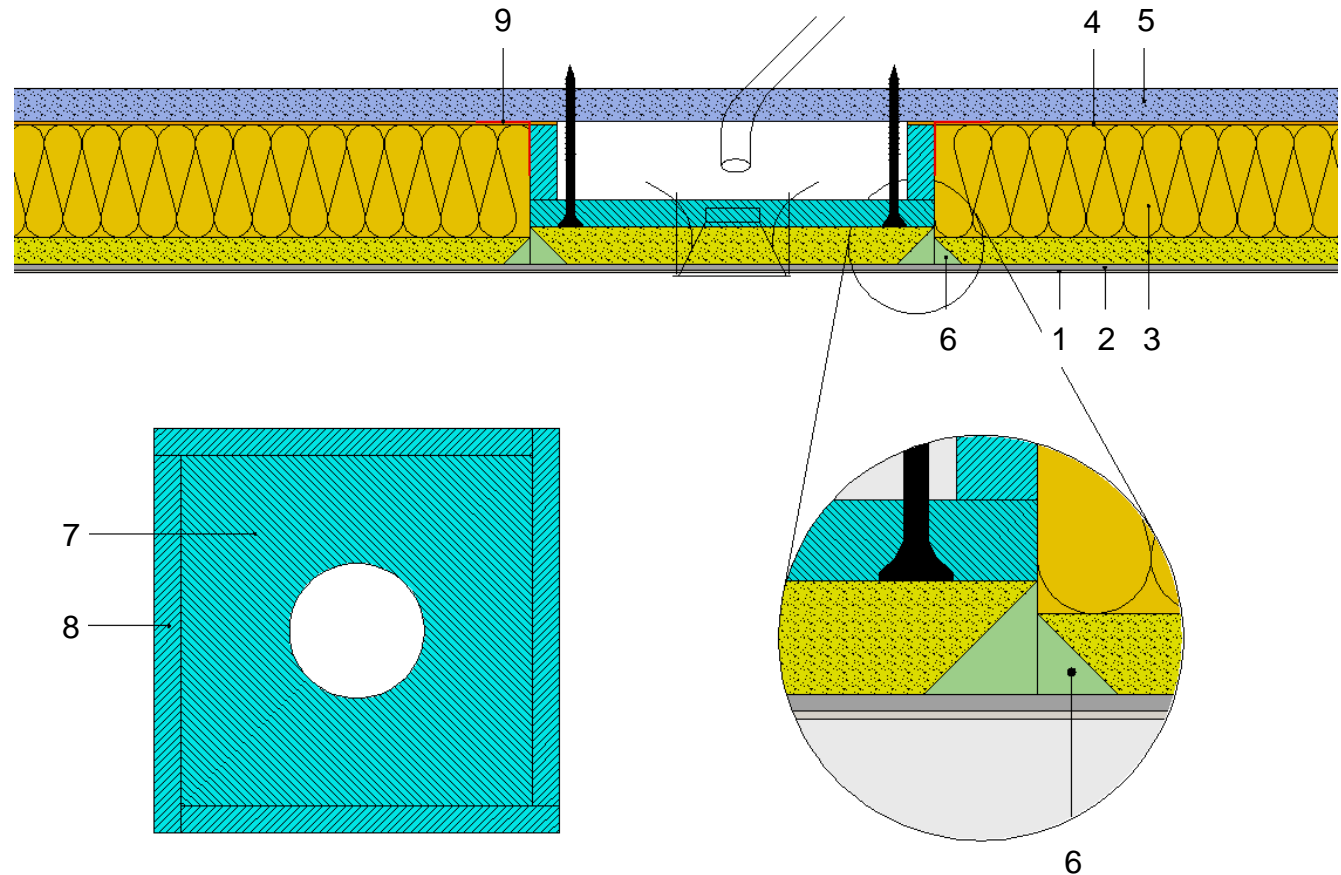


Important:

Before the acoustic panels are glued on, the side edges of BASWA IP (installation platform) must be sealed on all sides towards the plasterboard panel construction by air-tight gluing or with vapour barrier adhesive tape. Such seals (No. 9) prevent air circulation through the open-pore acoustic system (prevention of partial dust deposits in the top coat).

Depending on weight or vibration of the built-in element (lamps, speakers, etc.), items must also be screwed in addition to gluing.



1. BASWAphon – Top surface layer
2. BASWAphon – Base primary layer
3. BASWAphon – Acoustic Panel
4. Plaster adhesive
5. Structural panel, e.g., Fermacell or plasterboard
6. BASWAphon Fill seam filler
7. Gypsum fibreboard with 10 mm pre-coating (BASWA-IP)
8. Fixing / spacer frame
9. Air-sealed bonding or vapour barrier adhesive tape



BASWA acoustic AG
Marmorweg 10
CH – 6283 Baldegg
www.baswa.com

The structural, static and physical construction characteristics of BASWAphon acoustic systems can only be reached if the sole use and processing of BASWAphon system components according to processing guidelines is ensured.

Created
Gabriell Gjonlleshaj

Date
Aug. 31, 2010

Reviewed
Eric Sulzer

Approved
Guido Koch

Technical changes reserved. The then-current version applies. Our guarantee only applies to the flawless composition of our materials. Information regarding usage, amounts and versions is based on experience, which cannot be transferred to differing conditions without adjustments. The information included in the diagram complies with the current state of the art. However, it cannot contain the entirety of generally accepted rules of civil engineering, applicable standards, guidelines and technical rules. These must be observed appropriately, in addition to the processing regulations, by the person performing the work. All rights reserved. Changes, reprints and photomechanical, as well as electronic, reproduction, even in excerpts, require the explicit permission from BASWA acoustic AG, Marmorweg 10, 6283 Baldegg, Tel.: +41 41 914 02 22, Fax: +41 41 914 02 20. Shipment not via the specialized trade. According to our general terms and conditions, shipping and payment conditions (general terms and conditions, see www.baswa.com), only to certified processors.