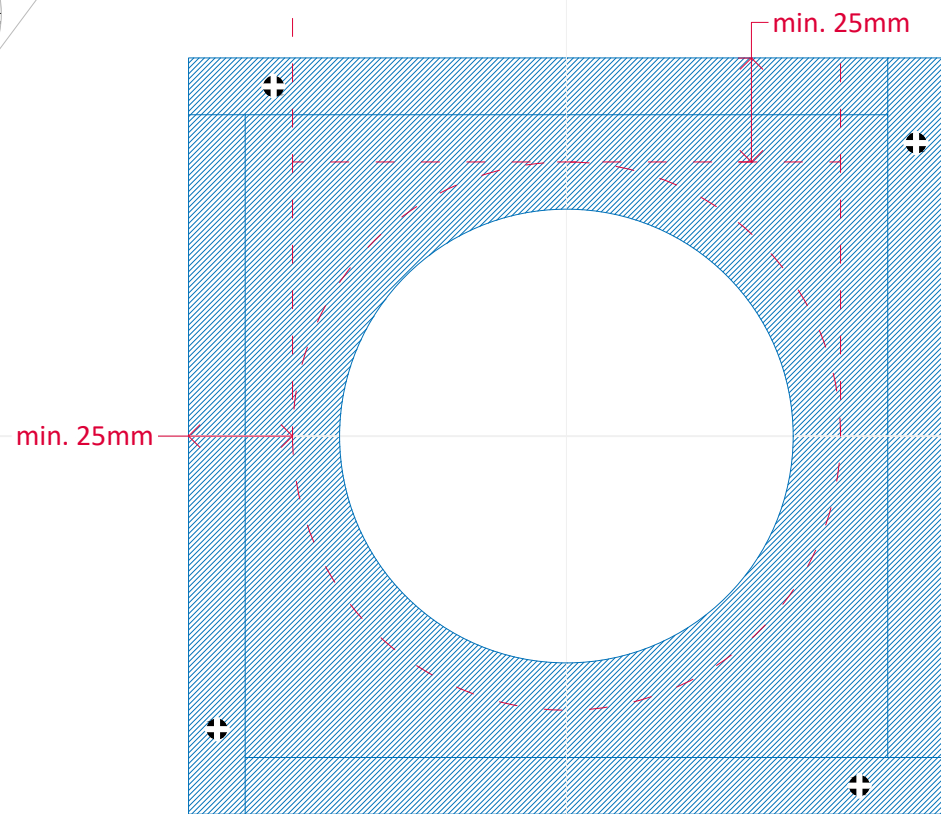
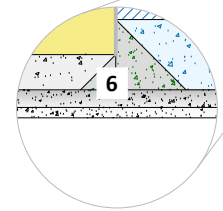
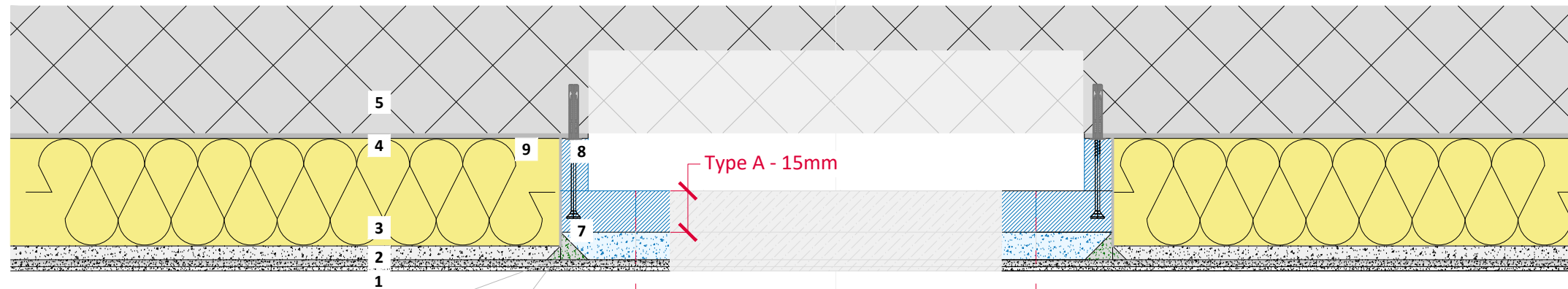


Installation of spotlights, speakers, motion sensors, etc. with BASWA IP

Important

After mounting the installation platform (BASWA-IP), the vertical connection of the acoustic panels to the BASWA-IP must be glued at the interface. This guarantees a stable, airtight connection to prevent cracking and air migration through the open-pored acoustic system. Depending on the weight or vibrations of the built-in element (lamps, loudspeakers, etc.), the BASWA-IP must also be mechanically fastened in addition to the bonding.



- 1 BASWA Top - Finish coat
- 2 BASWA Base - Base coat
- 3 BASWA Phon - Acoustic panel
- 4 BASWA Fix C - Cement adhesive
- 5 Concrete
- 6 BASWA Fill - Seam filler
- 7 Gypsum fibreboard 15 mm and pre-coating 11mm (BASWA-IP)
- 8 Fixing / spacer frame

		26mm	36mm	46mm	66mm
300mm x 300mm		a208	a373	a216	a220
300mm x 300mm		a208	a373	a216	a220
200mm x 200mm		a208	a373	a216	a220
200mm x 200mm		a208	a373	a216	a220

The structural, static and physical construction characteristics of BASWA Phon acoustic systems can only be reached if the sole use and processing of BASWA Phon system components according to processing guidelines is ensured.

Technical changes reserved. The then-current version applies. Our guarantee only applies to the flawless composition of our materials. Information regarding usage, amounts and versions is based on experience, which cannot be transferred to differing conditions without adjustments. The information included in the diagram complies with the current state of the art. However, it cannot contain the entirety of generally accepted rules of civil engineering, applicable standards, guidelines and technical rules. These must be observed appropriately, in addition to the processing regulations, by the person performing the work. All rights reserved. Changes, reprints and photomechanical, as well as electronic, reproduction, even in excerpts, require the explicit permission from BASWA acoustic AG, Marmorweg 10, 6283 Baldegg, Tel.: +41 41 914 02 22, Fax: +41 41 914 02 20. Shipment not via trade. According to our general terms and conditions, shipping and payment conditions (general terms and conditions, see www.baswa.com), only to certified processors.



EN_DD_070m

Installation of spotlights, speakers, motion sensors, etc. with BASWA IP

Scale 1/2

Size A3

Date 03.2020 / ALV