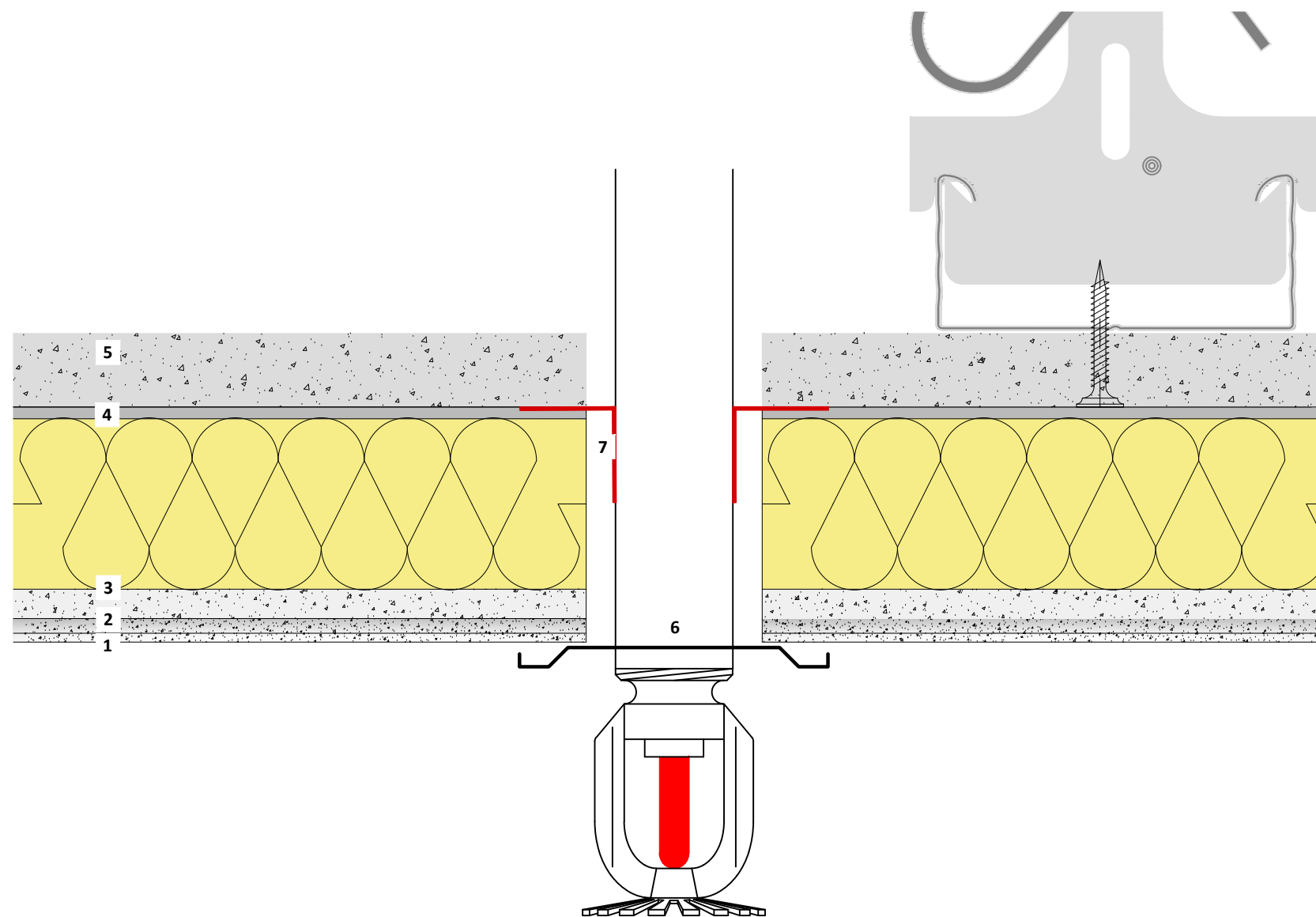


Installation of sprinklers

Important

Any and all penetrations of installations, as well as gaps for connections to building elements, must be sealed with vapour barrier adhesive tape before the application of the acoustic panels. Such seals prevent air circulation through the open-pore acoustic system (prevention of partial dust deposits in the top coat).



- 1 BASWA Top - Finish coat
- 2 BASWA Base - Base coat
- 3 BASWA Phon - Acoustic panel
- 4 BASWA Fix K - Plaster adhesive
- 5 Structural panel, plasterboard
- 6 Sprinkler
- 7 Vapour barrier adhesive tape (air-tight) (a354)

The structural, static and physical construction characteristics of BASWA Phon acoustic systems can only be reached if the sole use and processing of BASWA Phon system components according to processing guidelines is ensured.

Technical changes reserved. The then-current version applies. Our guarantee only applies to the flawless composition of our materials. Information regarding usage, amounts and versions is based on experience, which cannot be transferred to differing conditions without adjustments. The information included in the diagram complies with the current state of the art. However, it cannot contain the entirety of generally accepted rules of civil engineering, applicable standards, guidelines and technical rules. These must be observed appropriately, in addition to the processing regulations, by the person performing the work. All rights reserved. Changes, reprints and photomechanical, as well as electronic, reproduction, even in excerpts, require the explicit permission from BASWA acoustic AG, Marmorweg 10, 6283 Baldegg, Tel.: +41 41 914 02 22, Fax: +41 41 914 02 20. Shipment not via trade. According to our general terms and conditions, shipping and payment conditions (general terms and conditions, see www.baswa.com), only to certified processors.



EN_DD_074s_2019

Installation of sprinklers

Scale 1/1

Size A3

Date 03.2020 / ALV